

SP series

The next pneumatic filter press generation



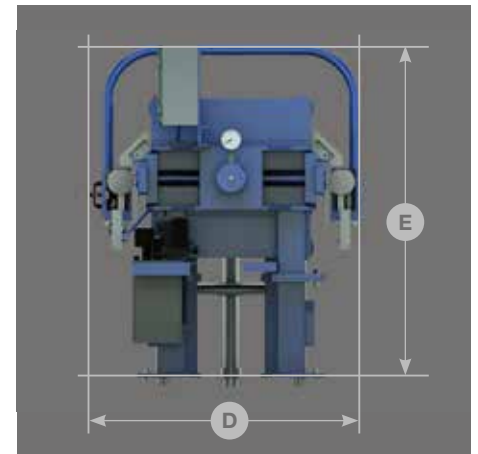
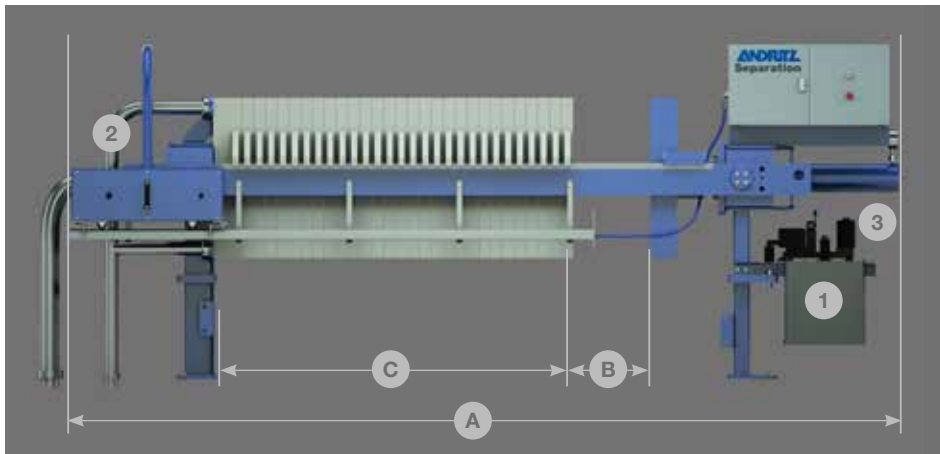
ASK YOUR
SEPARATION
SPECIALIST

SP series

The next pneumatic filter press generation

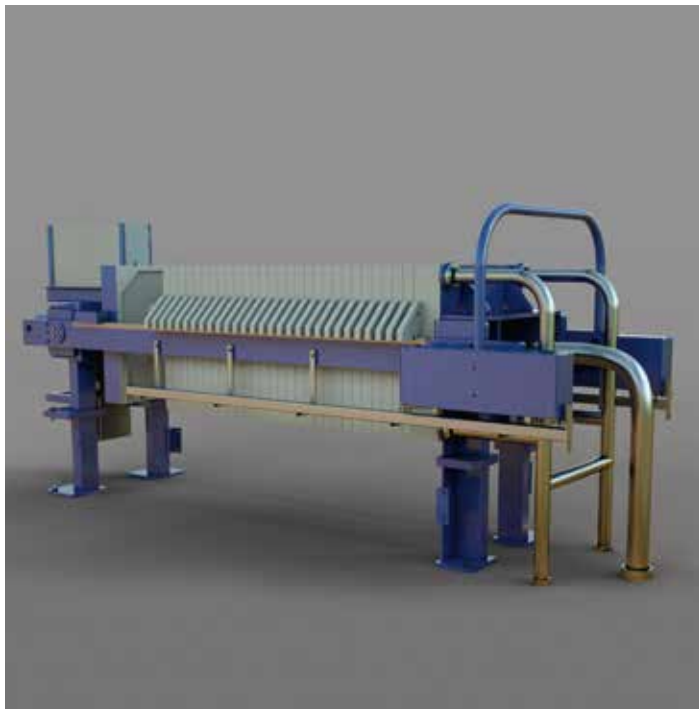
ANDRITZ SEPARATION has developed the next generation of pneumatic filter presses. These “SP-series” filter presses have been built to be used without the need for electricity – simply connect compressed air to operate the press.

Our filter press is easy to handle, safe, and competitively priced. Your main benefit is the unsurpassed safety standard of our SP-series filter press. This is achieved by our double safety control system, developed by ANDRITZ engineering.



Sidebar SP frame size / number of chambers					Filtration area		Volume		A (max. length) Filter press		C (max. length) Plate package		D (max. width) Filter press		E (max. height) Filter press		Filter press weight Empty	
SP 1200	SP 1000	SP 800	SP 630	SP 470	m ²	ft ²	liter	ft ³	mm	ft	mm	ft	mm	ft	mm	ft	kg	lbs
				20	6.5	70.2	69.4	2.5	1,940.0	6.4	1,027.0	3.4	695.0	2.3	1,270.0	4.2	950.0	2,094.4
				30	9.8	105.3	104.1	3.7	2,430.0	8.0	1,517.0	5.0	695.0	2.3	1,270.0	4.2	1,100.0	2,425.1
				40	13.0	140.4	138.8	4.9	2,920.0	9.6	2,007.0	6.6	695.0	2.3	1,270.0	4.2	1,200.0	2,645.5
			20		11.9	127.9	131.2	4.6	3,145.0	10.3	1,095.0	3.6	800.0	2.6	1,220.0	4.0	2,200.0	4,850.2
			30		17.8	191.8	196.8	6.9	3,665.0	12.0	1,615.0	5.3	800.0	2.6	1,220.0	4.0	2,400.0	5,291.1
			40		23.8	255.8	262.4	9.3	4,185.0	13.7	2,135.0	7.0	800.0	2.6	1,220.0	4.0	2,600.0	5,732.0
			50		29.7	319.7	328.0	11.6	4,705.0	15.4	2,655.0	8.7	800.0	2.6	1,220.0	4.0	2,800.0	6,172.9
			40		39.1	420.7	440.0	15.5	5,020.0	16.5	2,318.0	7.6	996.0	3.3	1,665.0	5.5	4,900.0	10,802.6
			50		48.9	525.8	550.0	19.4	5,590.0	18.3	2,878.0	9.4	996.0	3.3	1,665.0	5.5	5,300.0	11,685.5
			60		58.6	631.0	660.0	23.3	6,160.0	20.2	3,405.0	11.2	996.0	3.3	1,665.0	5.5	5,600.0	12,345.9
			80		78.2	841.3	880.0	31.1	7,870.0	25.8	4,558.0	15.0	996.0	3.3	1,665.0	5.5	5,900.0	13,007.3
	60				94.4	1,015.9	1,092.0	38.6	6,425.0	21.1	3,632.0	11.9	1,226.0	4.0	1,793.0	5.9	8,700.0	19,180.2
	70				110.1	1,185.2	1,274.0	45.0	7,015.0	23.0	4,212.0	13.8	1,226.0	4.0	1,793.0	5.9	9,400.0	20,723.4
	80				125.8	1,354.5	1,456.0	51.4	7,605.0	24.9	4,792.0	15.7	1,226.0	4.0	1,793.0	5.9	9,900.0	21,825.7
60					135.8	1,462.2	1,440.6	50.9	7,124.0	23.4	3,809.0	12.5	1,436.0	4.7	1,990.0	6.5	13,800.0	30,423.8
80					181.1	1,949.6	1,920.8	67.8	8,404.0	27.6	5,029.0	16.5	1,436.0	4.7	1,990.0	6.5	15,700.0	34,612.5
100					226.4	2,436.9	2,401.0	84.8	9,684.0	31.8	6,249.0	20.5	1,436.0	4.7	1,990.0	6.5	17,500.0	38,580.9

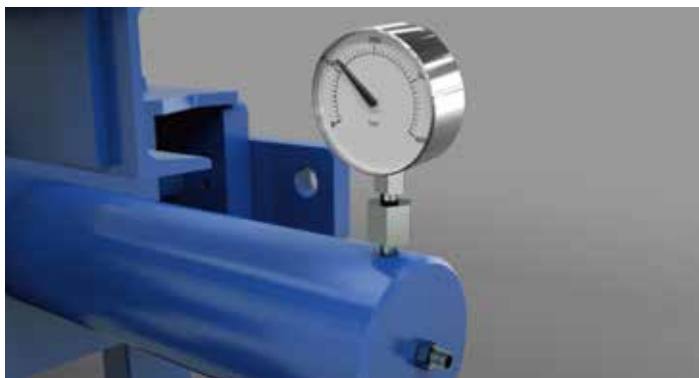
A = Max. length of filter press / **B** = 500 mm / **C** = Plate package length / **D** = Max. width / **E** = Max. height / **1** = Power pack / **2** = Plate shifter / **3** = Cylinder
 Number of chambers with 25 mm cake thickness (other cake thicknesses on request) / 100 psi (7 bar) design, SP 800 also available in 214 psi (15 bar)



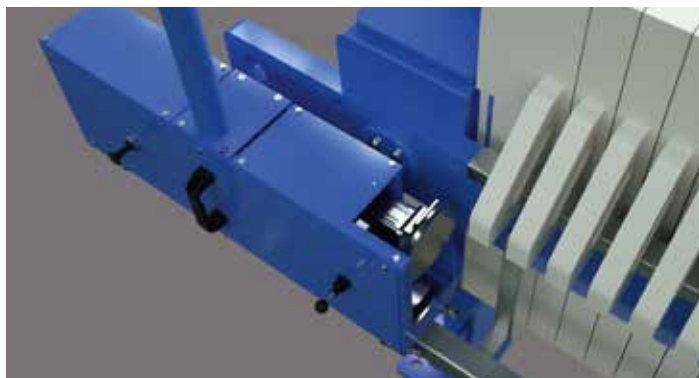
▲ Front view of filter press

Benefits

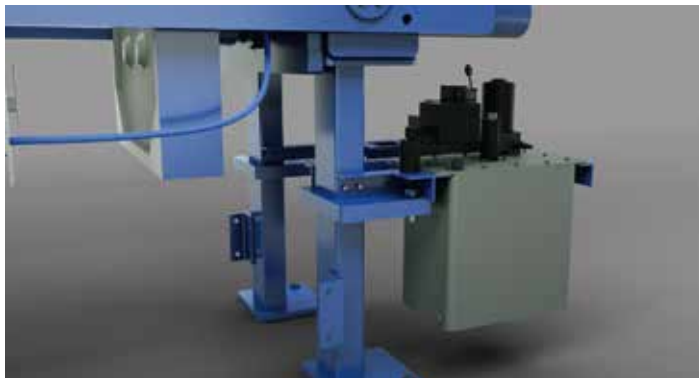
- Maximum safety due to dual control system → press cannot be opened by pressing a single button
- Increased safety when machine is under pressure due to pin design for the side bar construction → better force distribution compared to filter presses with “hammer-head” design.
- Better oil quality for longer due to independent oil and air systems
- Savings on both costs and weight due to the low-pressure design 100 psi (7 bar)
- Easy semi automatic shifting system for pneumatic plates
- Greater flexibility by using plant air, no electrical connection required
- Pneumatic interlock as additional safety device



▲ Double-acting cylinder



▲ Semi-automatic plate shifter



▲ Next generation power pack



▲ Rear view of filter press

What's your biggest separation challenge?



ANDRITZ SEPARATION is the world's leading separation specialist with the broadest technology portfolio and more than 2,000 specialists in 40 countries. For more than 150 years, we have been a driving force in the evolution of separation solutions and services for industries ranging from environment to food, chemicals, and mining & minerals.

As the OEM for many of the world's leading brands, we have the solutions and services to transform your business to meet tomorrow's changing demands – wherever you are and whatever your separation challenge.

Ask your separation specialist

AFRICA

ANDRITZ Delkor (Pty.) Ltd.
Phone: +27 (11) 012 7300
separation.za@andritz.com

ASIA

ANDRITZ SEPARATION India Private Ltd.
Phone: +91 (44) 4399 1111
separation.in@andritz.com

AUSTRALIA

ANDRITZ Pty. Ltd.
Phone: +61 (3) 8773 4888
separation.au@andritz.com

CHINA

ANDRITZ (China) Ltd.
Phone: +86 (757) 6663 3419
separation.cn@andritz.com

NORTH AMERICA

ANDRITZ SEPARATION Inc.
Phone: +1 (817) 465 5611
separation.us@andritz.com

SOUTH AMERICA

ANDRITZ SEPARATION Ltda.
Phone: +55 (47) 3387 9110
separation.bra@andritz.com

PRODUCT HOME

ANDRITZ SEPARATION GmbH
Dillenburger Strasse 100
51105 Cologne, Germany
Phone: +49 (221) 9856 0
separation.de@andritz.com

andritz.com/separation