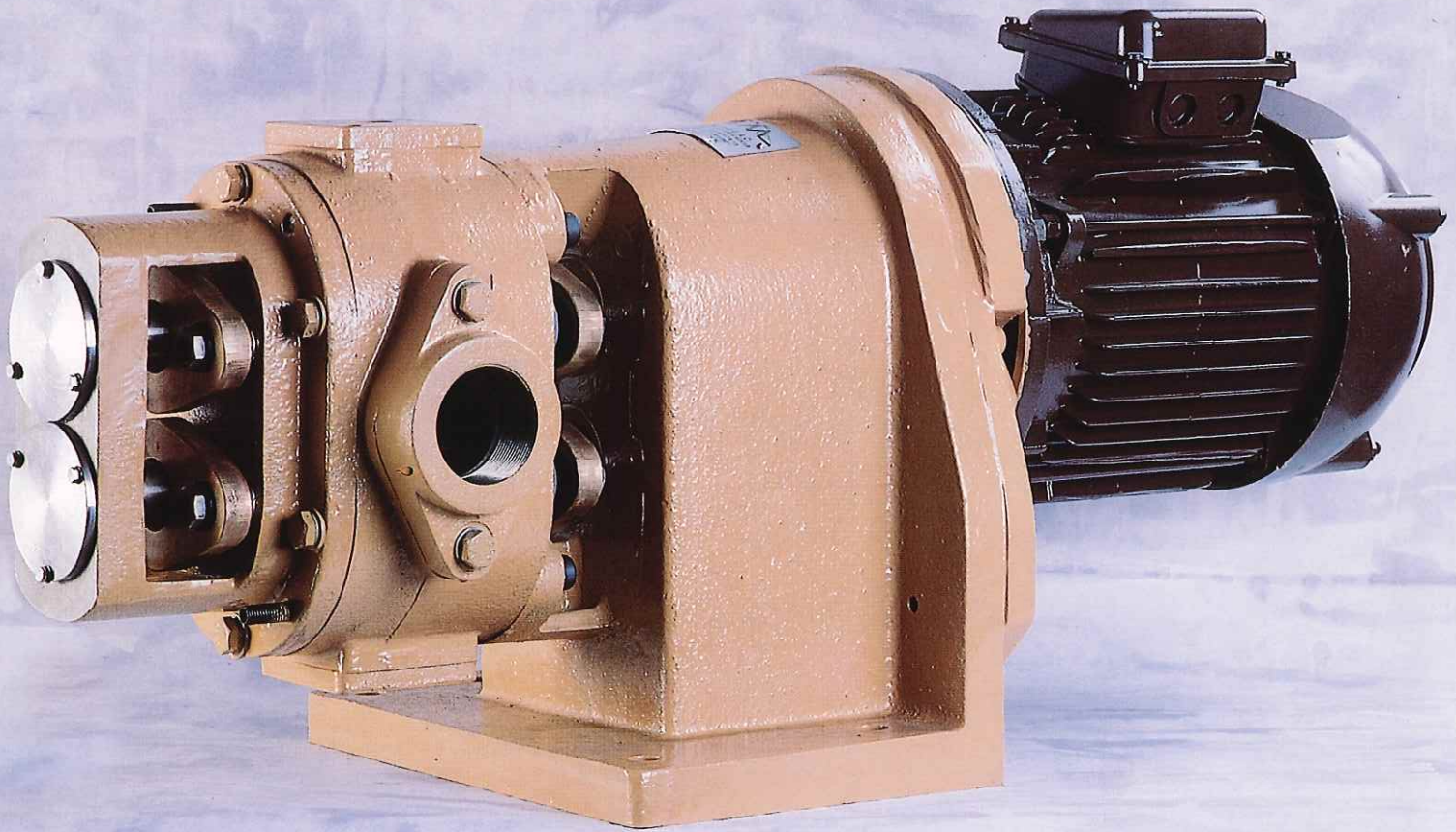


# DISPLACEMENT PUMPS

WITH: ROTATING PISTONS - THERMOREGULATION - REVERSIBILITY

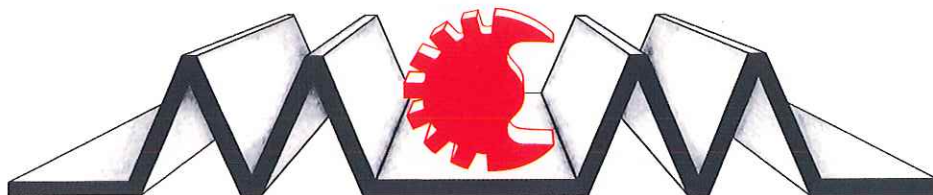
SERIES  
**FPRD**



**FPDR PUMPS** are constructed for the transfer at low revolution speed in the various stages of production of the following products when the mixture is either dense or semi-dense:

CHOCOLATE  
CHOCOLATE SUBSTITUTE  
COCOA PAST  
COCOA BUTTER  
ALIMENTARY PRESERVES  
FILLINGS  
CREME  
CREAM  
HONEY  
MOLASSES

GLUCOSE  
FONDANT  
SYRUPS  
JELLIES  
MARGARINES  
FATS  
JAMS  
HAZELNUT PASTA  
ICE-CREAM PASTA  
VEGETABLE JUICES



M.C.M. s.n.c. of MASSA G.&C.

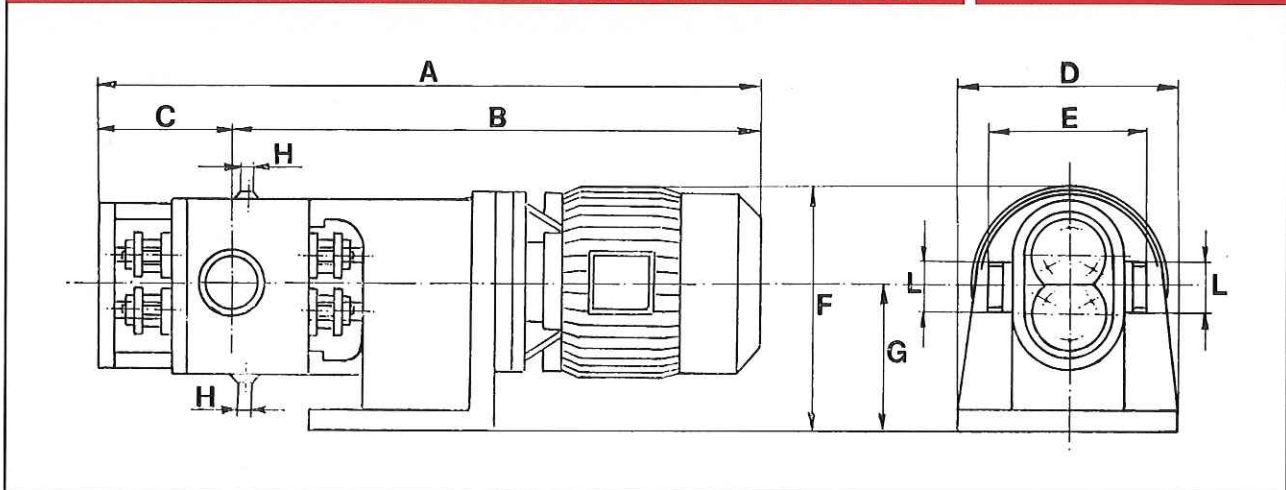
**MASSA - METAL MECHANICAL CONSTRUCTIONS**  
**VOLUME PUMPS AND MACHINERY FOR USE WITH FOODSTUFF**

10044 PIANEZZA - TORINO - ITALY - VIA AOSTA 15 - TEL. #39 -11- 967.60.18 - FAX #39 -11- 966.39.21

# DISPLACEMENT PUMPS

WITH: ROTATING PISTONS - THERMOREGULATION - REVERSIBILITY

SERIES **FPRD**



TYPE	TECHNICAL DATA					DIMENSIONS IN MM.							Ø	
	RPM/1'	Theoretical capacity l/hour	Differentiate pressure Kg/cm <sup>2</sup>	Engine HP	Weight Kg. ≈	A	B	C	D	E	F	G	H	L
<b>FPRD 511</b>	100	2.900	5 ÷ 8	5,5	121	830	670	160	320	260	365	205	3/4"	1 1/2"
<b>FPRD 521</b>	200	5.800	3 ÷ 5	5,5	116	830	670	160	320	260	365	205	3/4"	1 1/2"
<b>FPRD 512</b>	100	4.350	5 ÷ 8	5,5	131	860	670	180	320	260	365	205	3/4"	2"
<b>FPRD 522</b>	200	8.700	3 ÷ 5	5,5	126	860	670	180	320	260	365	205	3/4"	2"
<b>FPRD 513</b>	100	7.250	3 ÷ 5	5,5	155	920	710	220	320	260	365	205	3/4"	2 1/2"
<b>FPRD 523</b>	200	14.500	2 ÷ 4	5,5	150	920	710	220	320	260	365	205	3/4"	2 1/2"

## MATERIALS IN CONTACT WITH THE PRODUCT:

Pump Structure	:	Cast-iron - C40 - Inox (AISI 304)
Shafts	:	Inox (AISI 304)
Rotors	:	Bronze B10 - Inox (AISI 304)
Frontal flange	:	Cast-iron - Inox (AISI 304)
Gasket support	:	Cast-iron - Inox (AISI 304)
Main shaft supports	:	Protected ball bearings with life-time lubrication
Seal	:	Teflon (Baderna) Alimentary PTFE

## SPECIFICATIONS:

- THE PUMPS CAN BE SUPPLIED WITH SPEED VARIATORS IF REQUESTED
- Shafts with double supports and relative seal
- Rotation reversibility
- Double casing for thermoregulation
- Easily removable frontal cover (with no need to dismantle piping)
- Slow transportation of the product thus avoiding excessive movement and emulsifying
- High mechanical efficiency
- Special reduction group constructed in cast-iron G 26 - Shafts and gears in tempered cementified steel 18NCD4. Grease lubricating.

## NECESSARY DATA to establish the effective capacity and prevalance:

Type of product to be transported - Eventual percentage of the components - Temperature - Diameter of the piping (if already in existence) - Height and distance of aspiration and dispatch.

