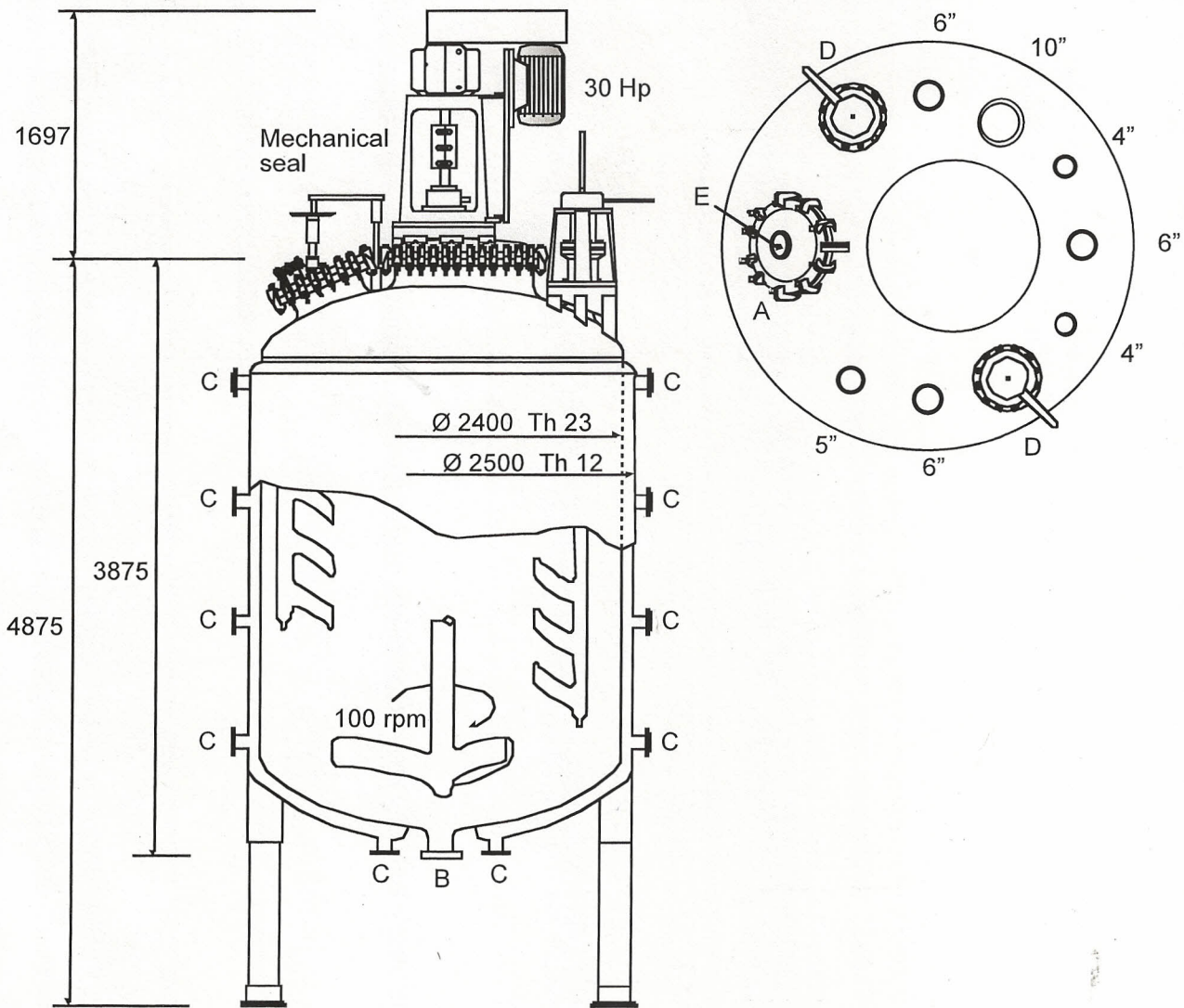


AGITATED VESSEL



CAPACITY LITERS 14.965	SHELL SIDE	JACKET/COIL SIDE
Design Pressure KG/cm2	-1/6	-1/6
Design Temperature °C	200	200
Material	Glass Lined	Carbon Steel
ANCC or ISPEL certification: VE 11175	NOZZLE DIMENSIONS	
Availability in stock n° 01 units	Pos	Service
MANUFACTURER: TYCON	A	Man hole
<input checked="" type="checkbox"/> USED <input type="checkbox"/> USED RECONDITIONED <input type="checkbox"/> UNUSED	B	Product outlet
	C	Heating medium in-out
	D	Baffle
	E	Sigth glass
WEIGHT (approx) Kg 12253	NOTE Anno di costruzione: 1979 N° Fabbr. 1437	