

CUSTOMER CONNECTIONS:
 SEE P&ID 925 E 9832

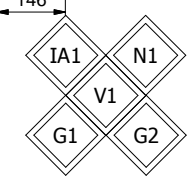
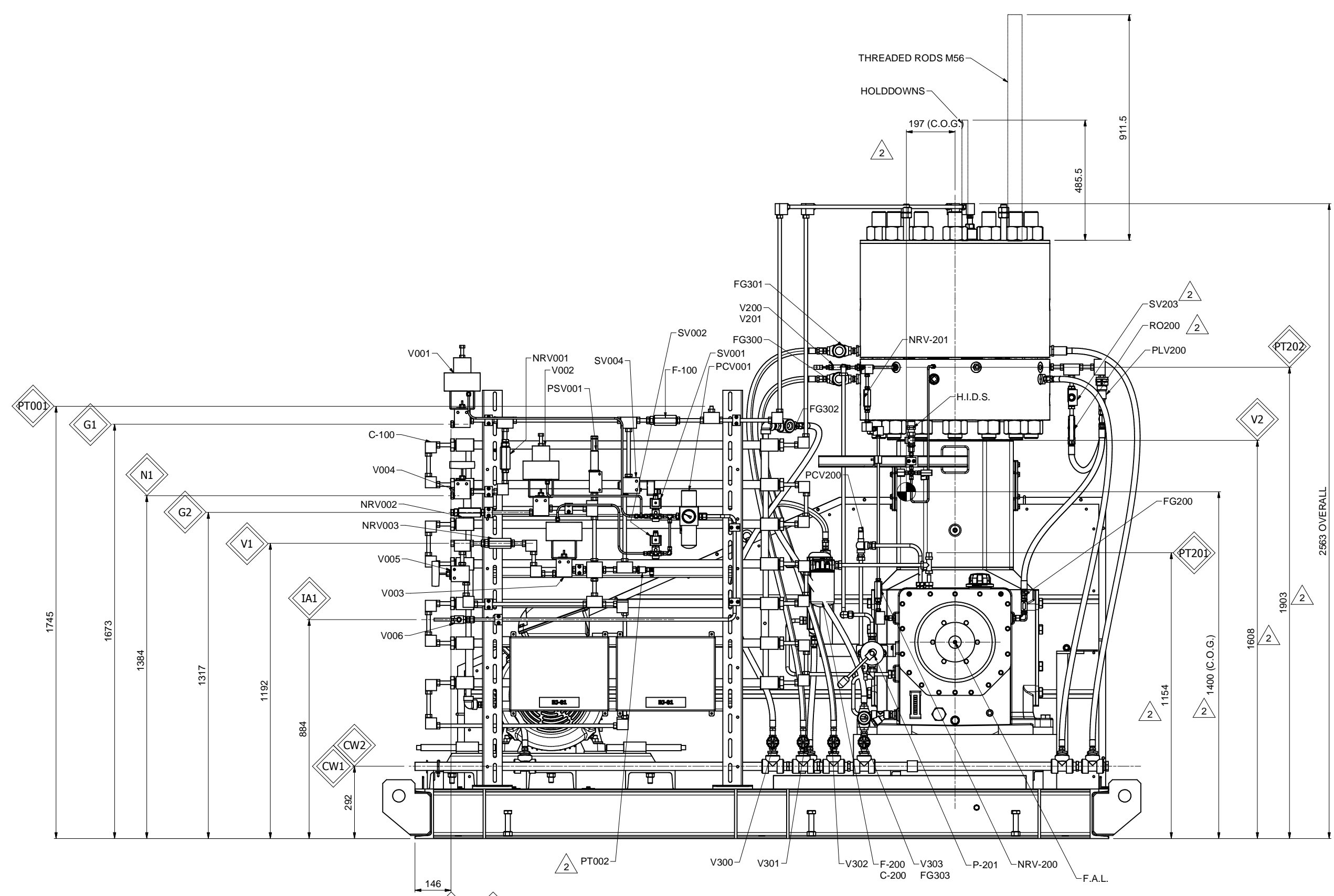
TOTAL WEIGHT OF COMPRESSOR : 6400 Kg
 HEAVIEST PART : Gas Plate
 HEAVIEST PART WEIGHT : 1500 Kg
 GENERAL TOLERANCES FOR INLET AND OUTLET : +/- 10 mm

CENTER OF GRAVITY
 FORCES APPLICATION LOCATION (F.A.L.)

SURFACE ROUGHNESS ACCORDING TO ISO 468.
 FOR NOT TOLERANCED DIMENSIONS SEE TV 06.002
 GEOMETRICAL TOLERANCING ACCORDING TO ISO 1101.

2	11-10-19	20-02-19	20-10-19
REV	DR.	CK.	APP.
	RN	JHW	JHW
MATERIAL		WEIGHT IN KG.	DERIVED FROM
GROUPNR. 4702		SUBSTITUTE FOR	
DRAFTING GR. 03		COLLECTING DWG.	
Projection	TYPE	TITLE	
	SCALE 1:8	GENERAL ARRANGEMENT	
DRAWING NR. 942 E 9148		SHEET 1	OF 6
PARTS LIST		FIRST ORDER SC00032848	

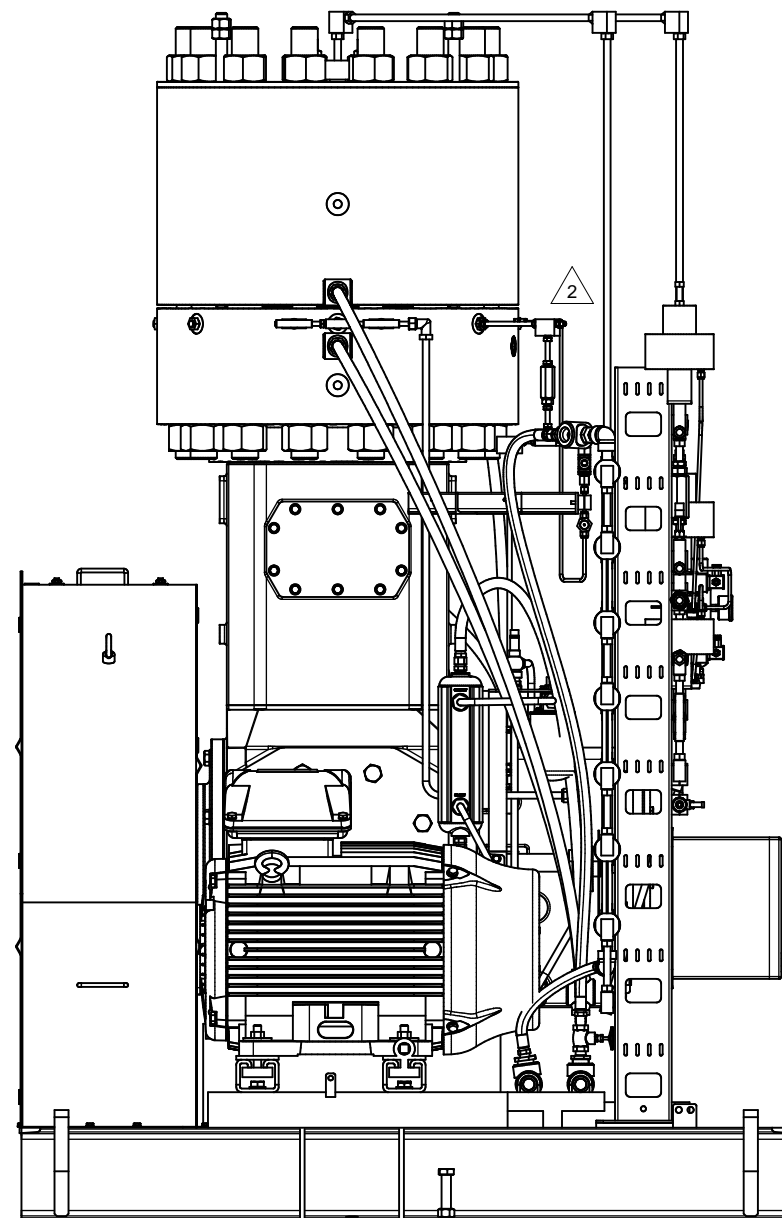
Howden
 Howden Thomassen Compressors



SURFACE ROUGHNESS ACCORDING TO ISO 468.
 FOR NOT TOLERANCED DIMENSIONS SEE TV 06.002
 GEOMETRICAL TOLERANCING ACCORDING TO ISO 1101.

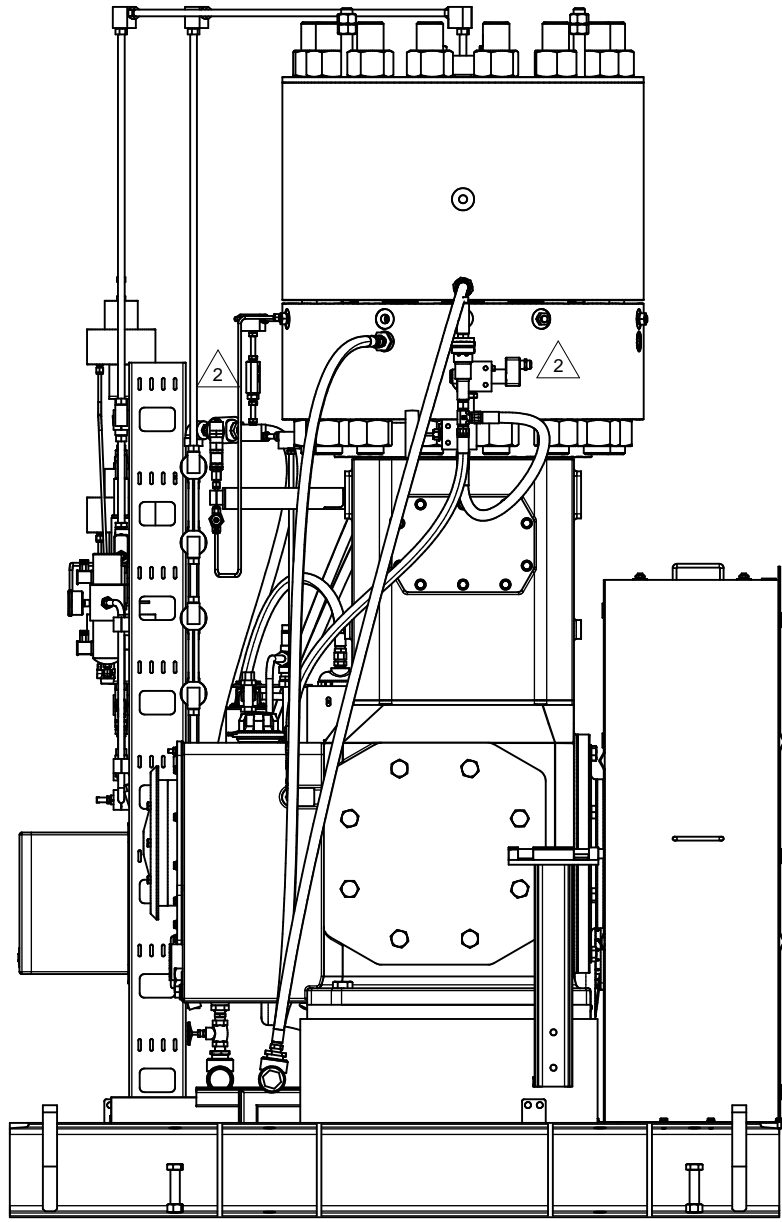
2	11-10-19	20-10-19	20-10-19
REV	DR.	CK.	APP.
	RN	JHW	JHW
			03
MATERIAL	WEIGHT IN KG.	DERIVED FROM	DRAFTING GR.
	GROUPNR.	SUBSTITUTE FOR	COLLECTING DWG.
	4702		
Projection	TYPE	TITLE	
		GENERAL ARRANGEMENT	
SCALE	1:8		
DRAWING NR.		SHEET	OF
342 E 9148		2	6
PARTS LIST		FIRST ORDER	
		SC00032848	

Howden
 Howden Thomassen Compressors



REV.0: RN 3-12-2016
 REV.1: RN 20-02-19
 REV.2: RN 11-10-19

SURFACE ROUGHNESS ACCORDING TO ISO 468. FOR NOT TOLERANCED DIMENSIONS SEE TV 06.002		GEOMETRICAL TOLERANCING ACCORDING TO ISO 1101.	
2	11-10-19	20-02-19	20-10-19
REV	DR.	CK.	APP.
	RN	JHW	JHW
MATERIAL	WEIGHT IN KG.	DERIVED FROM	DRAFTING GR.
	GROUPNR.	SUBSTITUTE FOR	COLLECTING DWG.
	4702		03
Projection	TYPE	TITLE	
	SCALE	GENERAL ARRANGEMENT	
	1:8		
		DRAWING NR.	SHEET OF
		942 E 9148	3 6
		PARTS LIST	FIRST ORDER
			SC00032848



REV.0: RN 3-12-2016
 REV.1: RN 20-02-19
 REV.2: RN 11-10-19

√(√√√)

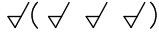
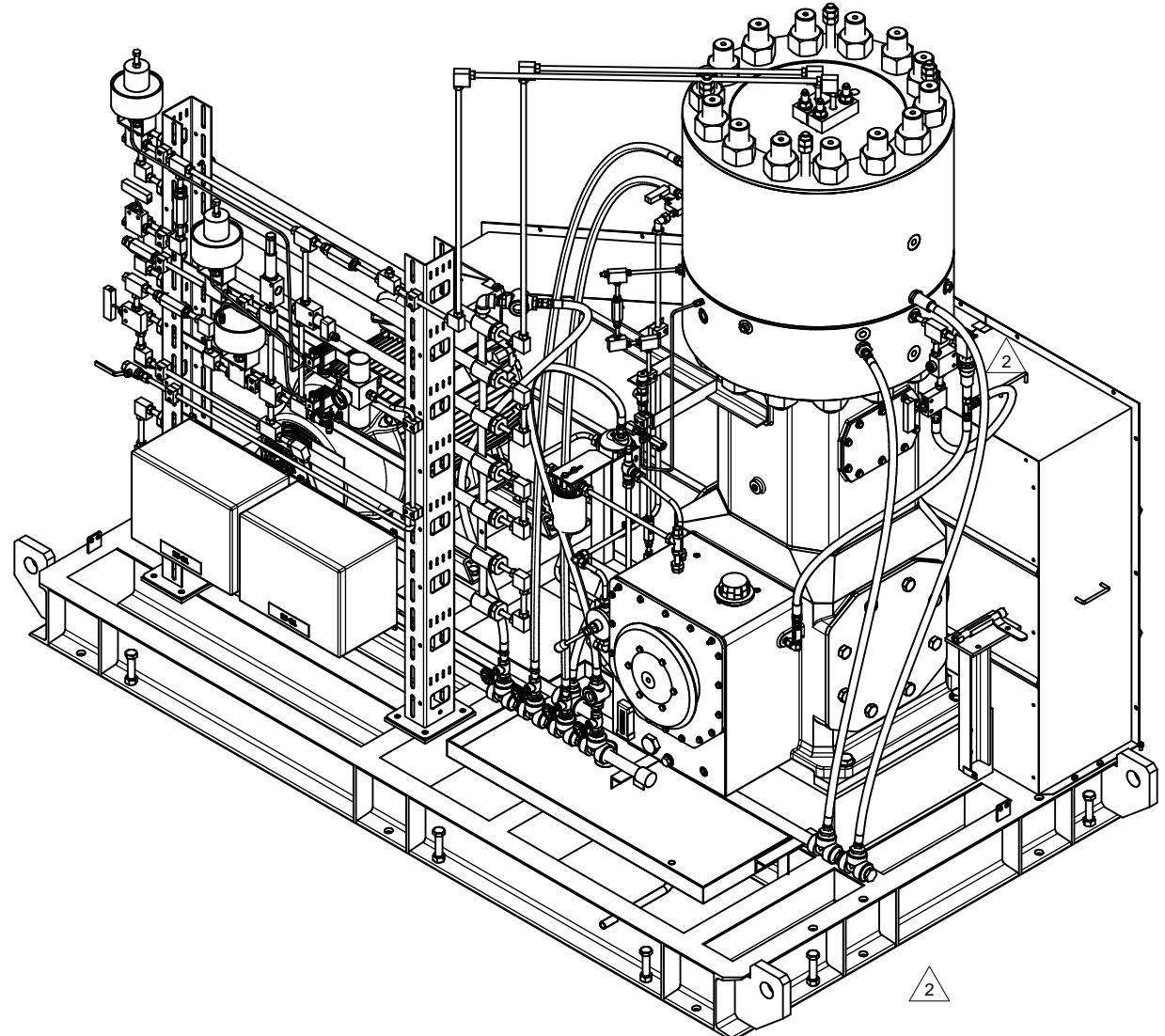
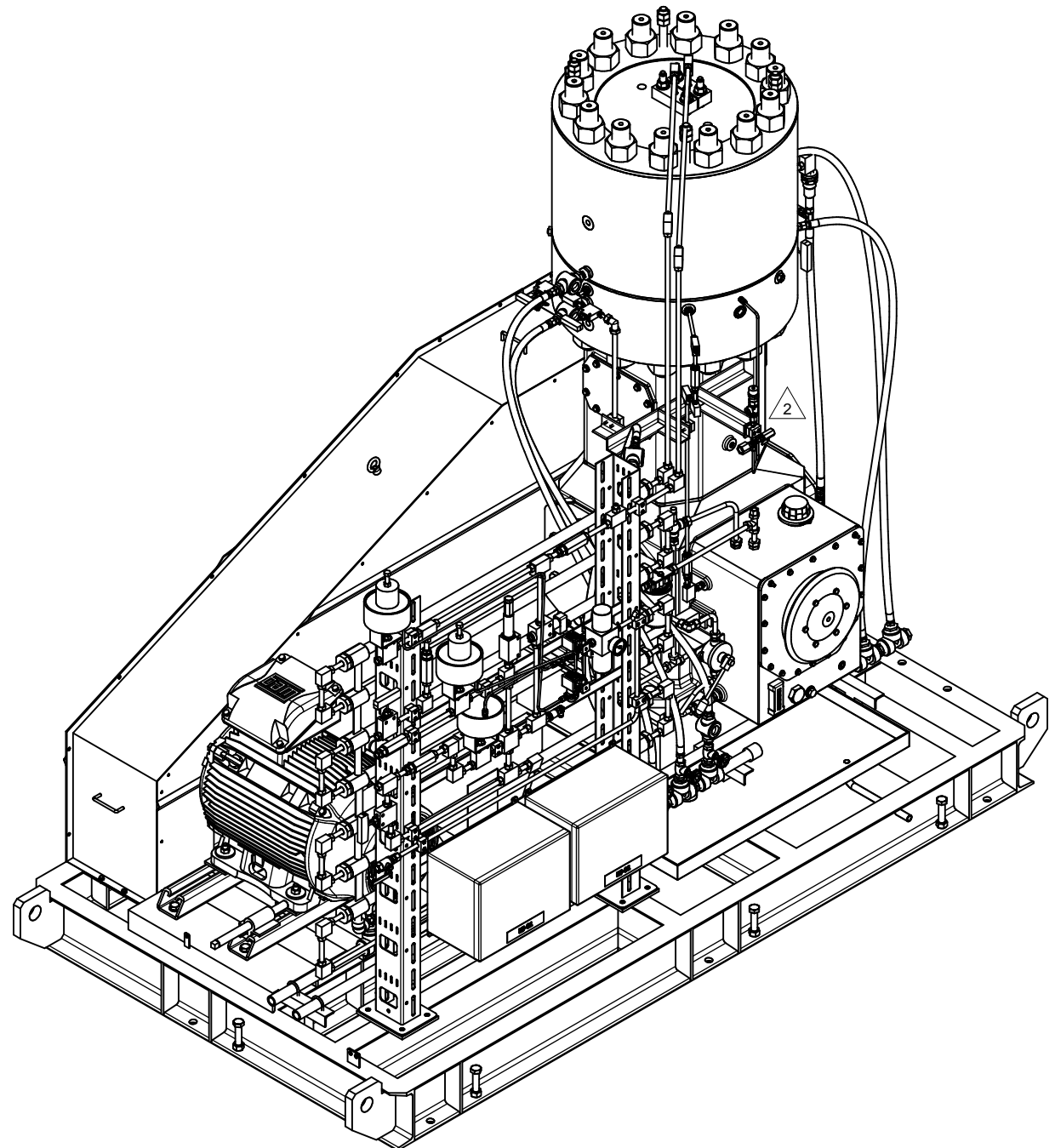
SURFACE ROUGHNESS ACCORDING TO ISO 468.
 FOR NOT TOLERANCED DIMENSIONS SEE TV 06.002
 GEOMETRICAL TOLERANCING ACCORDING TO ISO 1101.

2	11-10-19	20-02-19	20-10-19
REV	DR.	CK.	APP.
	RN	JHW	JHW

MATERIAL	WEIGHT IN KG.	DERIVED FROM	DRAFTING GR.
			03
GROUPNR.	4702	SUBSTITUTE FOR	COLLECTING DWG.

Projection	TYPE	TITLE
	SCALE	GENERAL ARRANGEMENT
	1:8	

 Howden Howden Thomassen Compressors	DRAWING NR	SHEET	OF
	942 E 9148	4	6
PARTS LIST	FIRST ORDER	SC00032848	



SURFACE ROUGHNESS ACCORDING TO ISO 468.
FOR NOT TOLERANCED DIMENSIONS SEE TV 06.002
GEOMETRICAL TOLERANCING ACCORDING TO ISO 1101.

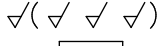
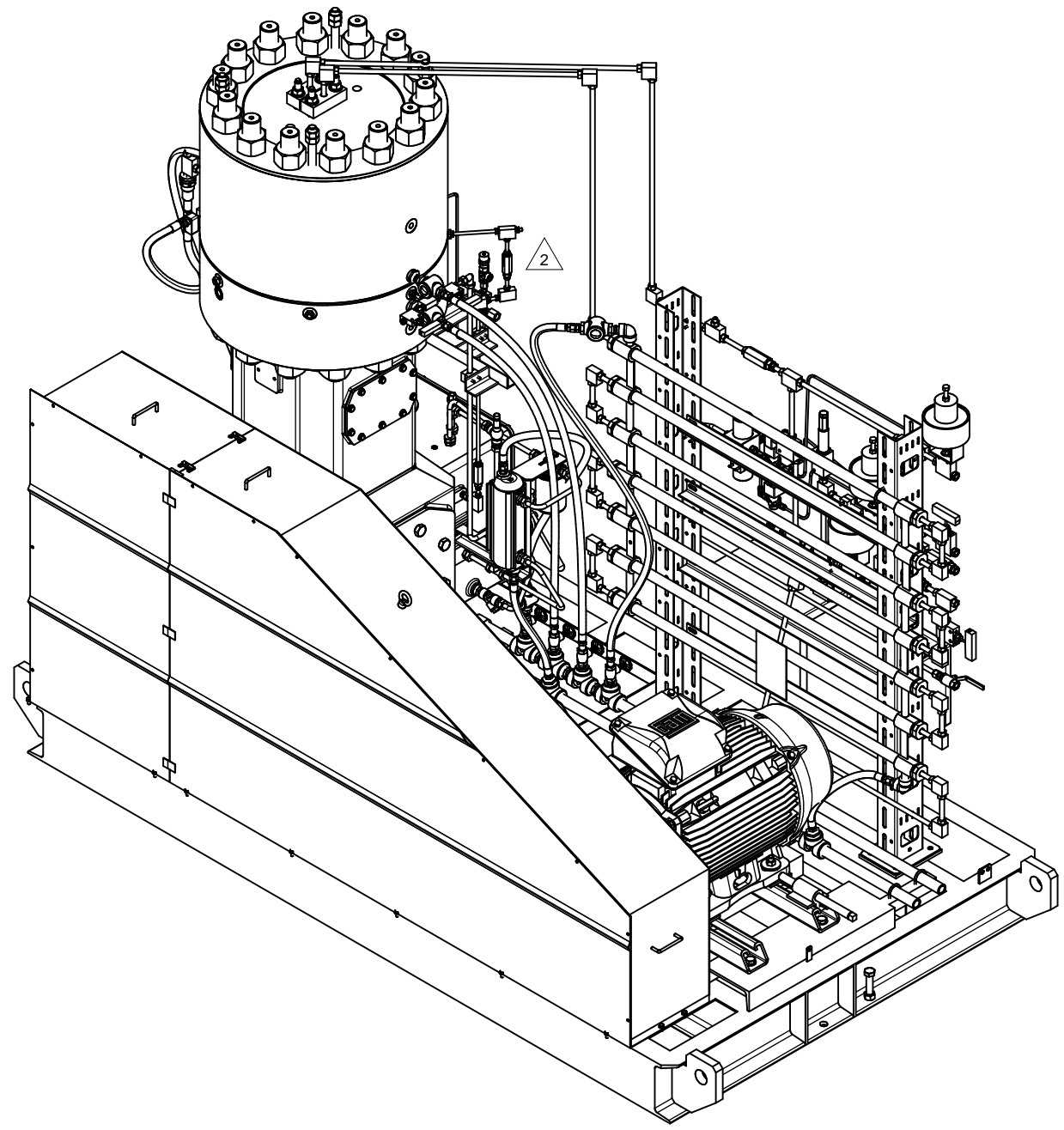
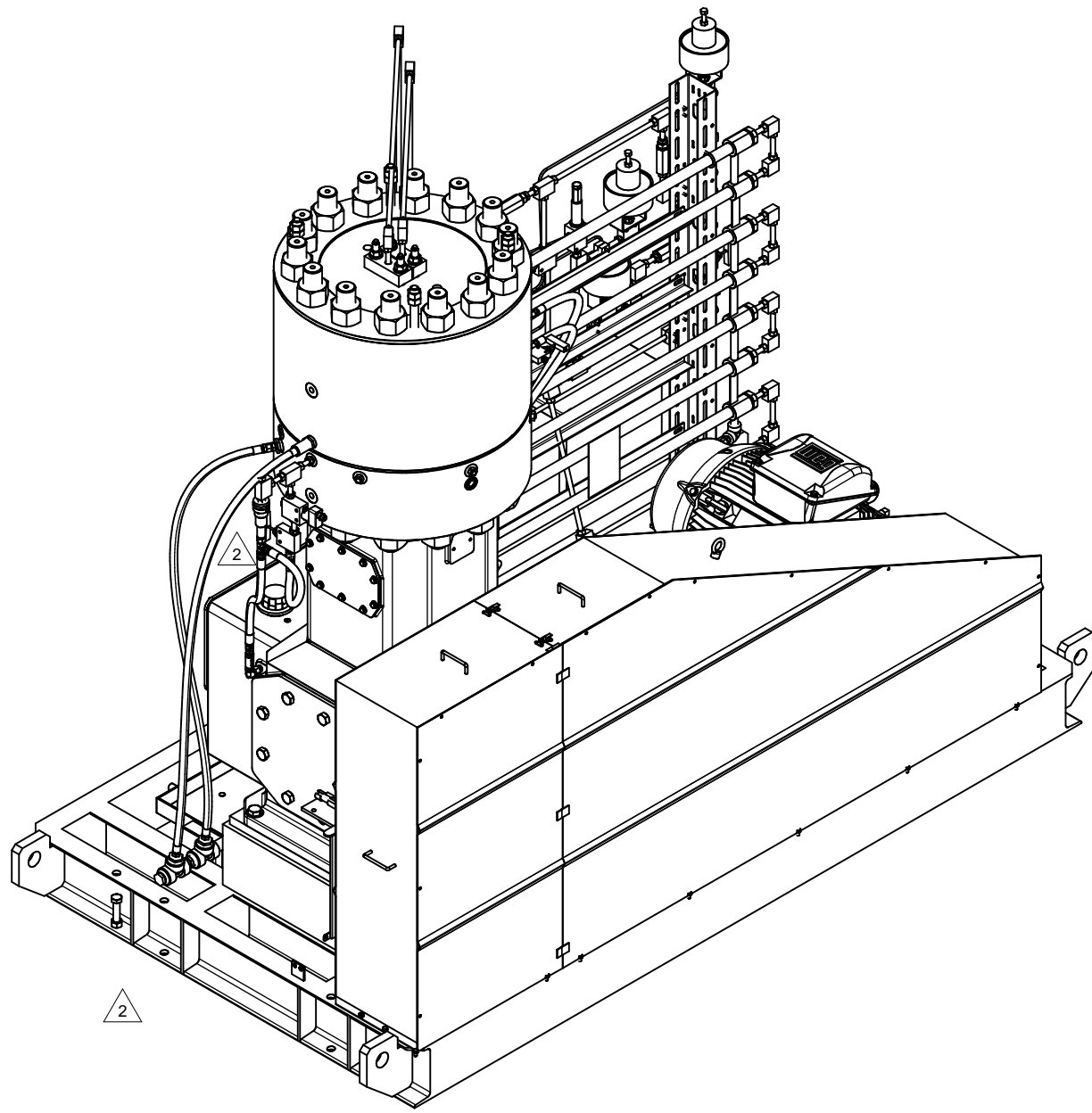
2	11-10-19	20-02-19	20-10-19
RN	JHW	JHW	JHW
REV.	DR.	CK.	APP.

MATERIAL	WEIGHT IN KG.	DERIVED FROM	DRAFTING GR.
GROUPNR. 4702		SUBSTITUTE FOR	03
			COLLECTING DWG.

Projection	TYPE	TITLE
	SCALE 1:10	GENERAL ARRANGEMENT

	DRAWING NR. 342 E 9148	SHEET 5 OF 6
	PARTS LIST	FIRST ORDER SC00032848

Inventor release:



SURFACE ROUGHNESS ACCORDING TO ISO 468.
 FOR NOT TOLERANCED DIMENSIONS SEE TV 06.002
 GEOMETRICAL TOLERANCING ACCORDING TO ISO 1101.

MATERIAL		WEIGHT IN KG.	DERIVED FROM	DRAFTING GR.
GROUPNR. 4702		SUBSTITUTE FOR	COLLECTING DWG.	03
Projection	TYPE	TITLE		
	SCALE 1:10	GENERAL ARRANGEMENT		
DRAWING NP. 942 E 9149		SHEET 6	OF 6	
PARTS LIST		FIRST ORDER SC00032848		

